



590GB Single Product Solid Dissolver with Backup Instruction & Operation Manual

Description

The 590GB solid dissolver provides diluted solution of one product held in an integrated reservoir, ready for on demand pumping when indicated by the system controller. The system provides a backup sump/float system to prevent spills in case of an overflow condition.

Site Survey and installation requirements



Before an installation takes place it is advisable to complete a site survey to ensure the 590GB can be installed in a position that meets all of the requirements listed below.

1. Unit must not be installed near areas that suffer excess temperature changes, direct sunlight, frost or precipitation of any kind
2. Water supply – Min 2 Bar – Max 6.2 Bar (200kPa – 620kPa) (29psi – 89.9psi)
3. Ensure the unit can be mounted in an accessible position above the height of the required discharge location.
4. This unit dispenses via gravity and the delivery hose/pipe will require a clear uninterrupted path to the tank
5. The BS EN 60335-1:2002+A2:2006 Standard that this unit conforms to requires protection from back-siphon of non-potable water to the mains supply must be installed to a level relevant to the classification of chemical being used.

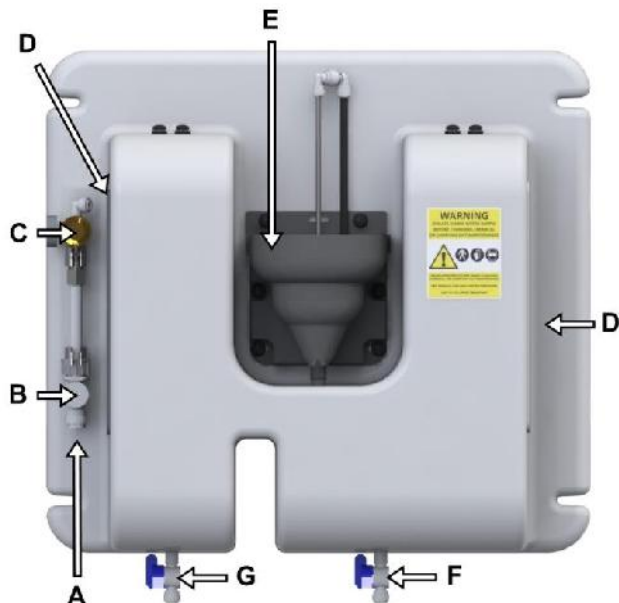
Installation

1. Ensure wall is of a quality to support wall anchors, and is flat and is perpendicular to the floor
 2. Drill holes for the four wall anchors with a 7mm drill bit, using the mounting board as a template if needed. Make sure the board is level. Hole centres are 270mm apart horizontal, 370mm apart vertical
 3. Remove the doors (Item D) on either side of the board to gain access to the internal components.
 4. Install the 2 floats on the S-hooks inside the board. (See 'Float Installation')
 5. Install the solution outlet & overflow ball valve into the threaded fittings on the bottom of the reservoir.
 6. Connect water supply, to the Push-Fit inlet (Item B)
 7. Connect the outlet supply line to the outlet ball valve push fitting (Item F)
 8. Place chemical bottle securely in solid bowl assembly.
 9. Turn on water supply valve.
 10. Open solution outlet ball valve.
 11. Replace the doors on either side of the reservoir.
 12. With water flowing, adjust pressure regulator per chemical manufacturer recommendations. (Item C)
- The float valves will fill the reservoir with chemical solution any time the reservoir falls below the float level.
 - A backup float valve & reservoir is provided in case of a primary float valve failure.

Package Should Contain:

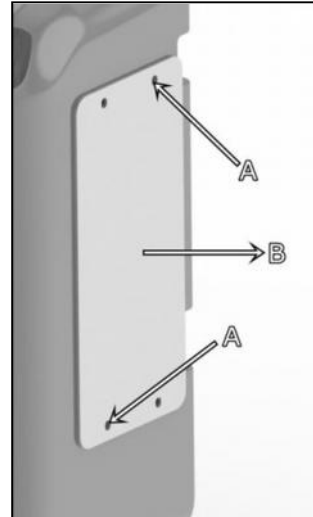
1. Float (x2)
2. 590GB Unit
3. S-hook (x2)
4. Ball Valve (x2)
5. Mounting Kit
6. 590GB Instruction Manual

Item	Description
A	Water Inlet
B	Inlet Ball Valve
C	Water Pressure Regulator
D	Reservoir Door
E	Solid Bowl Assembly
F	Solution Outlet Ball Valve
G	Overflow Outlet Ball Valve

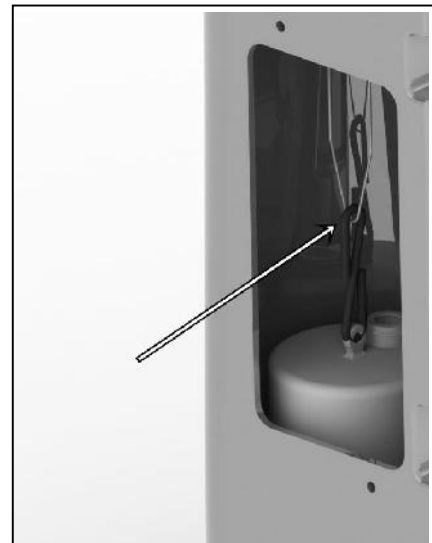


Float Valve Installation

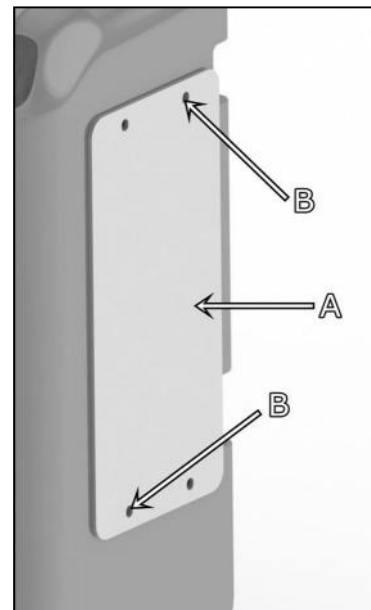
1. Remove
 - a. The screws
 - b. The side access panel



2. Install the float on the S-hook inside the board.
 - Verify float operation is not obstructed.



3. Replace
 - a. The side access panel
 - b. And the 2 screws



4. Repeat for other side

Regulator Instructions

- **Only adjust with water flowing**

- To adjust the water pressure in the unit, first locate the locking nut A



- Tighten the thread C for lower pressure (Clockwise) Loosen the thread C for higher pressure (Anti-Clockwise). Use a flat head screwdriver for this



- Loosen the nut B (19mm A/F)



- When desired pressure is showing on the gauge, tighten the nut D

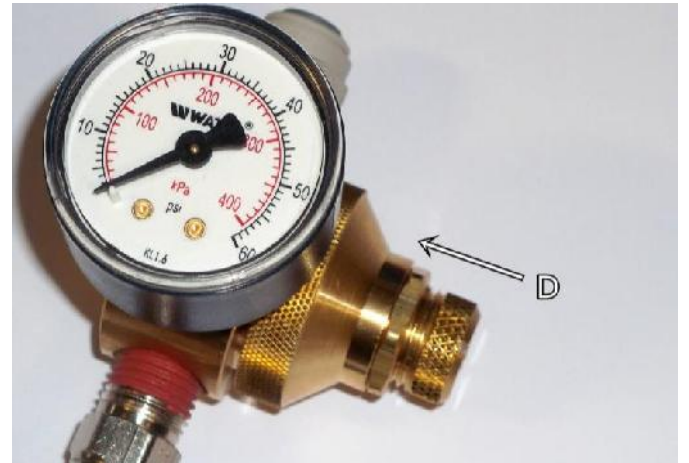
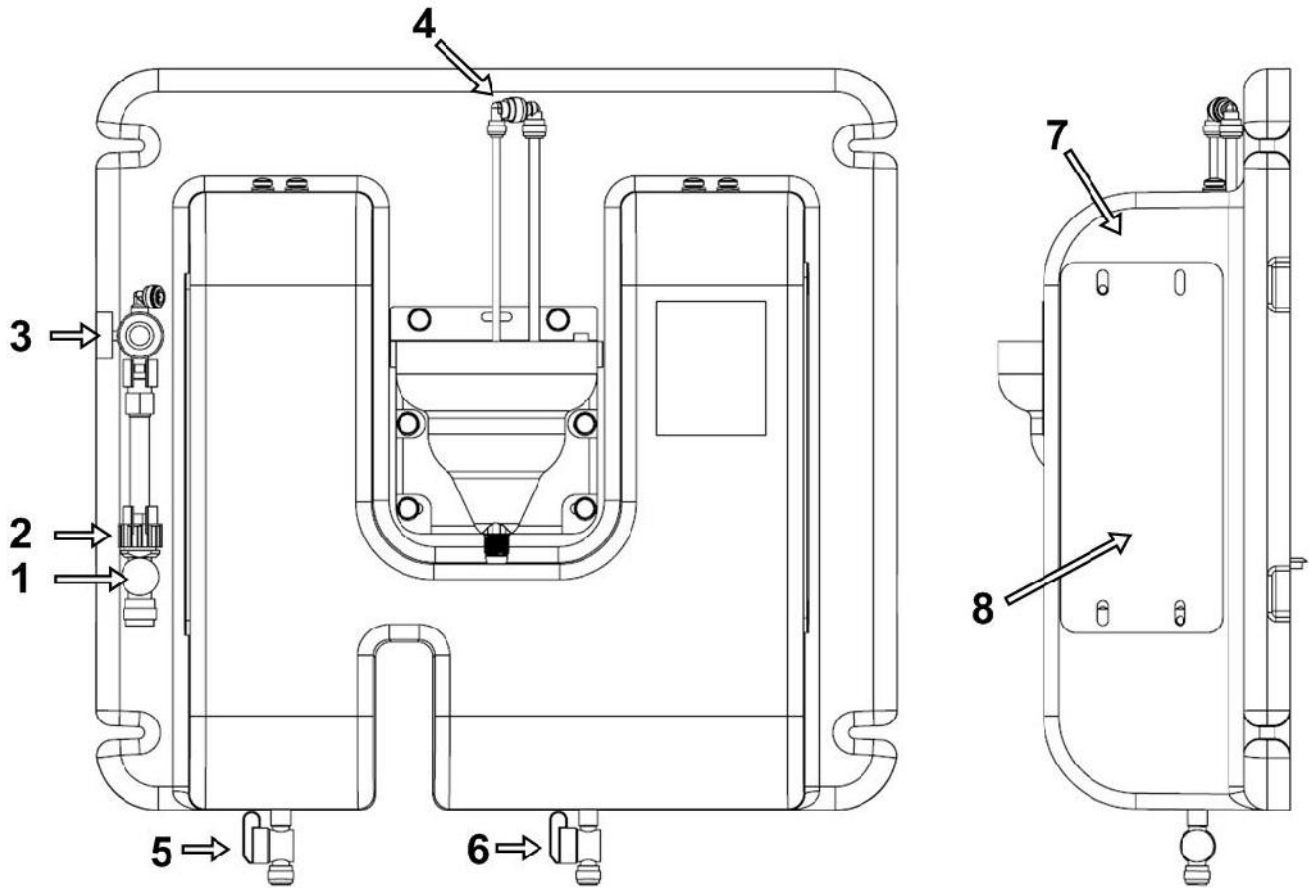
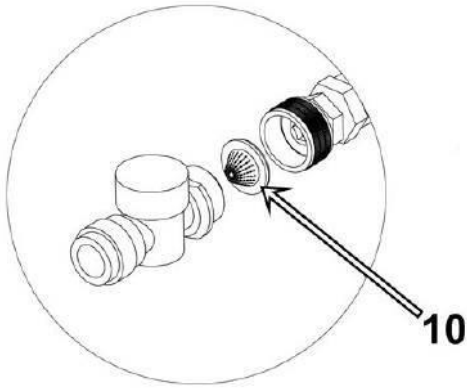


Diagram and Parts List

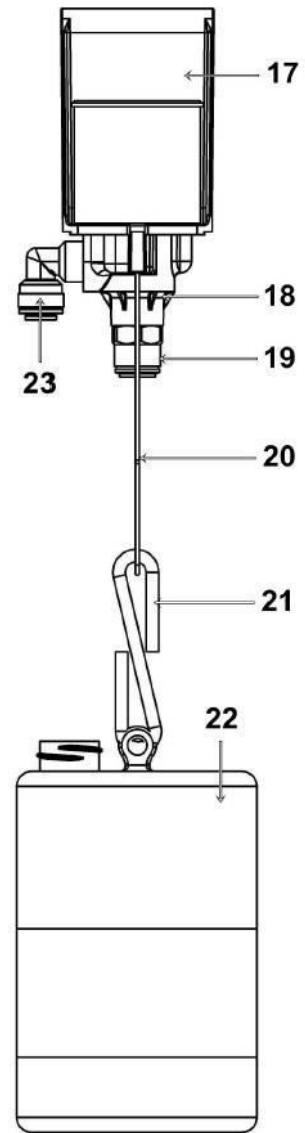
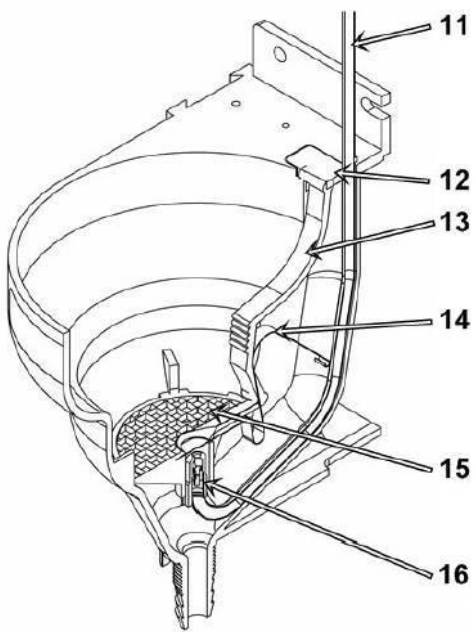


Item	Description	Qty	Part no.
1	Inlet Ball Valve	1	90090060
2	BSP Collar + Stem	1	10082835 + 10082816
3	Water Pressure Regulator	1	90085155
4	J Tube Fittings	1	10097480+10097469
5	Overflow Ball Valve	1	10092596
6	Outlet Ball Valve	1	10092596
7	Reservoir Body	1	90087068
8	Reservoir Door	2	
9	Solid Dissolver Bowl	1	10094931
Not Shown	Water Valve Assembly	2	Shown on next page
Not Shown	Mounting Kit	1	90085719

* Tubing used is 0.375" OD Black Nylon (TINB-30)



Strainer Washer is between items 1 and 2



Item	Description	Qty	Part no.
10	Strainer Washer	1	238100
11	J Tube	1	10091677
12	Retainer Arm	1	90085170
13	Diverter Arm	1	90085172
14	Diverter Spring	1	90085171
15	Screen	1	90085173
16	Blue Nozzle Assembly	1	90086204

Item	Description	Qty	Part no.
17	Bracket	1	10094959
18	Body	1	520000
19	JG 1/4" MPT 3/8" Fitting	1	10091183
20	Yoke	1	503300
21	S Hook	1	10092551
22	Float	1	504300
23	JG 3/8" MPT 3/8" Elbow	1	10091178

*As standard the unit is supplied with the Blue -72 OC nozzle, but other nozzle types are available through contacting Hydro Systems Europe

Technical Specification

Item Number	590GB
Description	Single Product Solid Dissolver with Backup
Dimensions	660mm Wide, 670mm High, 240mm Deep
Weight	9kg Dry, 18kg Full Reservoir & Chemical Bottle
Water pressure	Min 2 Bar – Max 6.2 Bar (200kPa – 620kPa) (29psi – 89.9psi)

**This product is not suitable for use with Chlorine containing products.
For Chlorine containing products, please contact Hydro Systems Europe**



Changing Chemical Bottle

When the solid chemical is exhausted, the bottle must be changed.

Refer to the 'Safety' section of this manual for clothing and chemical handling instructions



1. Turn off water supply to the unit using the ball valve (Item 1)
2. Lift chemical bottle out of bowl and dispose of correctly
3. Insert new chemical bottle into bowl
4. Reconnect water supply

Troubleshooting chart

Warning – Before carrying out any maintenance or cleaning you must disconnect water and power supplies from unit

Problem	Cause	Solution
1. System does not operate	a. No water b. Clogged water inlet strainer c. Primary float valve failure	a. Open water supply b. Disconnect inlet water line and clean strainer c. Clean or replace with valve parts kit Drain overflow reservoir to resume operation

Safety



- Please use this equipment carefully and observe all warnings and cautions.
- Wear PPE when dispensing chemicals or other materials or when working in the vicinity of all chemicals, filling or emptying equipment.



- Always observe safety and handling instructions of the chemical manufacturers.
- Always direct discharge away from you or other persons or into approved containers.
- Always dispense cleaners and chemicals in accordance with manufacturer's instructions.
- Always exercise caution when maintaining your equipment.
- Always re-assemble equipment according to instruction procedures. Be sure all components are firmly screwed or latched into position.
- Keep equipment clean to maintain proper operation.
- You must follow all precautions as advised on the product safety data sheet

Advanced Water Technologies

2 Webster Court
Carina Place
Gemini Business Park
Warrington
Cheshire
WA5 8WD

Tel: 01925 713 273

Fax: 01925 713 483

Email: info@advanced-water.co.uk

www.advanced-water.co.uk