



## **595GB Single Product Solid Dissolver**

### **Instruction & Operation Manual**

## Description

The single solid dissolver provides diluted solution of one solid product held in an integrated reservoir, ready for on demand pumping when indicated by the system controller.

## Site Survey and installation requirements

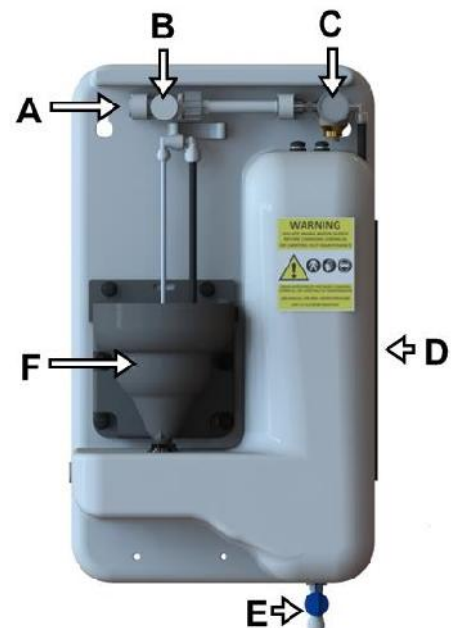
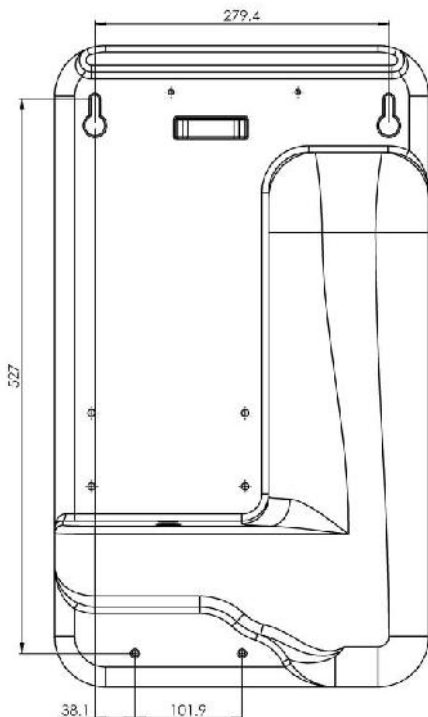


Before an installation takes place it is advisable to complete a site survey to ensure the Single Solid Dissolver can be installed in a position that meets all of the requirements listed below.

1. Unit must not be installed near areas that suffer excess temperature changes, direct sunlight, frost or precipitation of any kind
2. Water supply – Min 2 Bar – Max 6.2 Bar (200kPa – 620kPa) (29psi – 89.9psi)
3. Ensure the unit can be mounted in an accessible position above the height of the required discharge location.
4. This unit dispenses via gravity and the delivery hose/pipe will require a clear uninterrupted path to the tank
5. The floor around the unit must be non-slip or have non-slip matting to avoid slippages
6. The unit must be installed in a well-lit area, or an area that can be lit
7. The BS EN 60335-1:2002+A2:2006 Standard that this unit conforms to requires protection from back-siphon of non-potable water to the mains supply must be installed to a level relevant to the classification of chemical being used.

## Installation

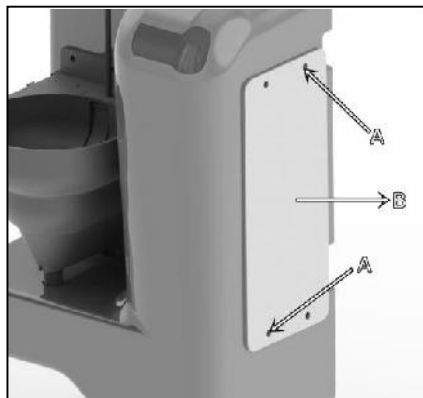
1. Ensure wall is of a quality to support wall anchors, and is flat and is perpendicular to the floor
2. Drill holes for the four wall anchors with a 7mm drill, using the mounting board as a template. Make sure the board is level. Hole centres are as shown below. Screw unit to wall.
3. Remove screws from the side access panel to install float.
4. Install the float on the S-hook inside the board. Verify float operation is not obstructed.
5. Connect water supply line 15mm OD tube, to the inlet of unit.
6. Install outlet ball valve and connect outlet pipe to 3/8" Push Fit
7. Place chemical bottle securely in solid bowl assembly.
8. Adjust pressure regulator per chemical manufacturer recommendations.



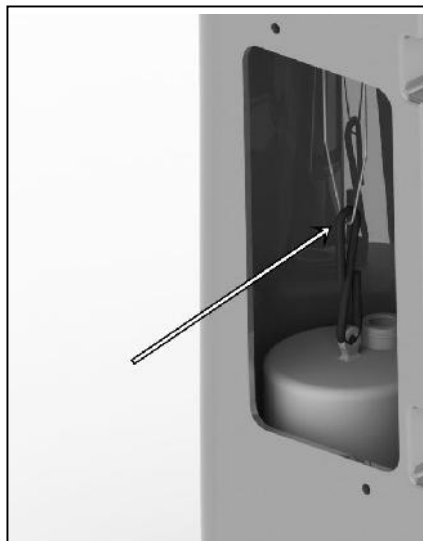
Item	Description
A	Water Inlet
B	Ball Valve
C	Pressure Regulator
D	Side Access Panel
E	Solution Outlet Ball Valve
F	Solid Bowl Assembly

### Float Valve Installation

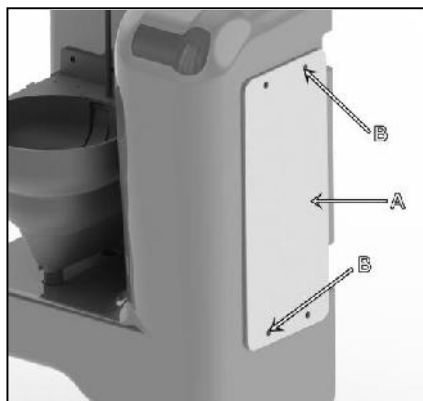
1. Remove
  - a. The screws
  - b. The Side Access Panel



2. Install the float on the S-hook inside the board. Verify float operation is not obstructed.

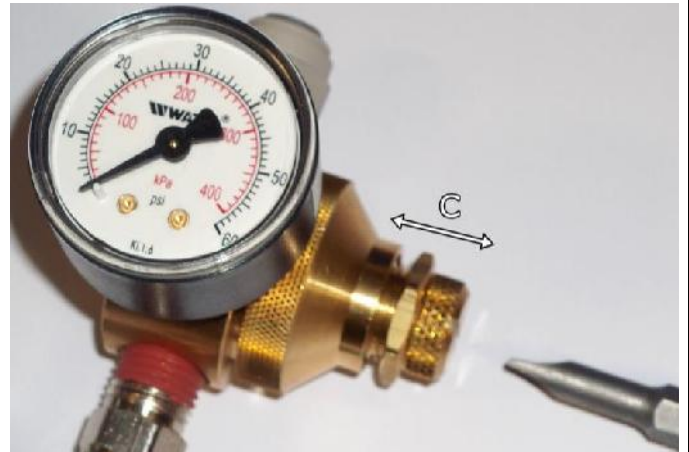


3. Replace
  - a. The Side access Panel
  - b. And the 2 screws



## Regulator Instructions

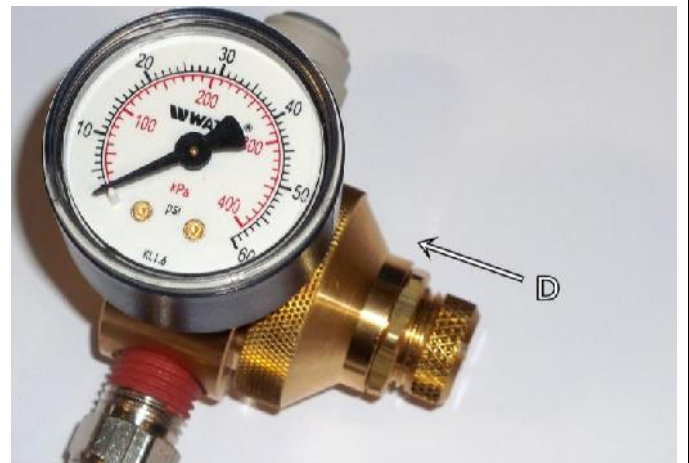
- **Only adjust with water flowing**
- To adjust the water pressure in the unit, first locate the locking nut A
- Tighten the thread C for lower pressure (Clockwise) Loosen the thread C for higher pressure (Anti-Clockwise). Use a flat head screwdriver for this

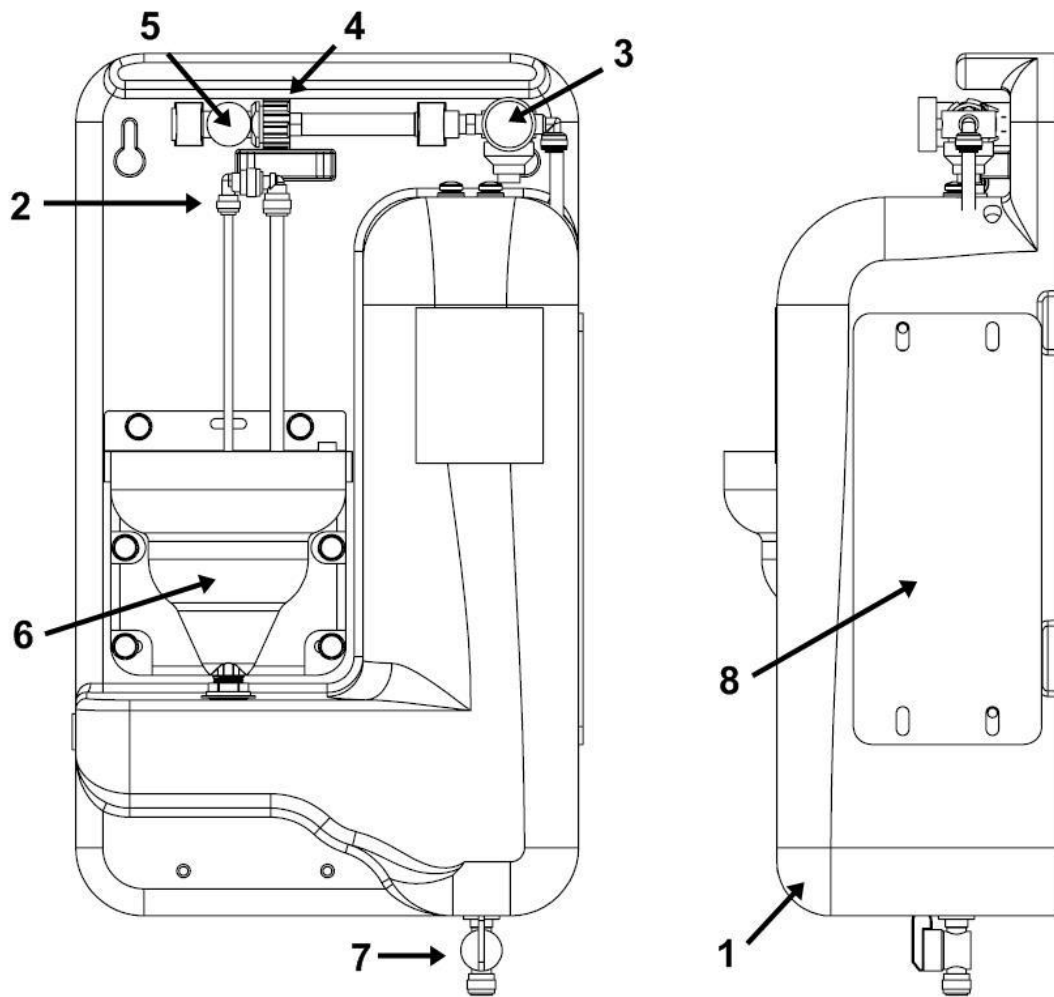


- Loosen the nut B (19mm A/F)

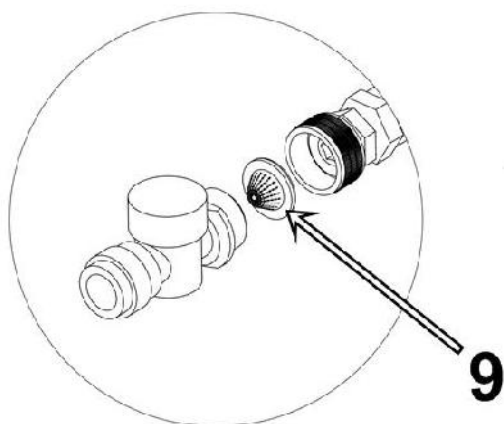


- When desired pressure is showing on the gauge, tighten the nut D

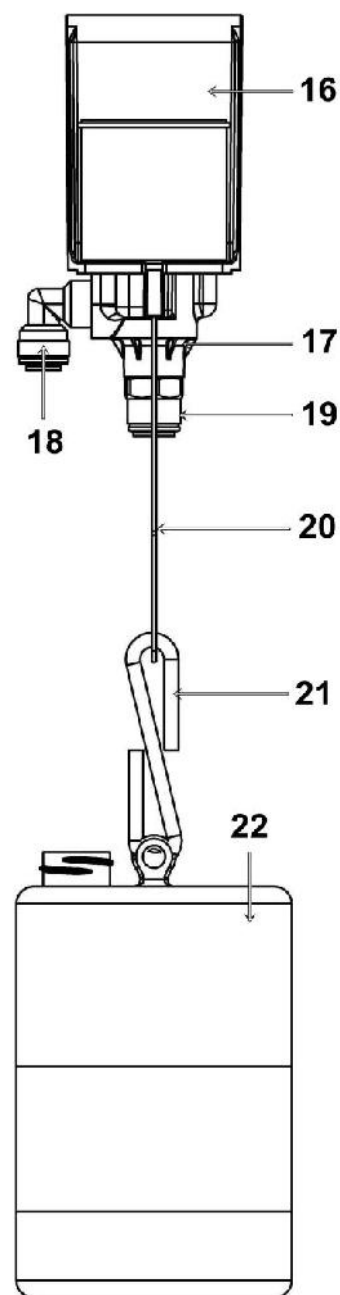
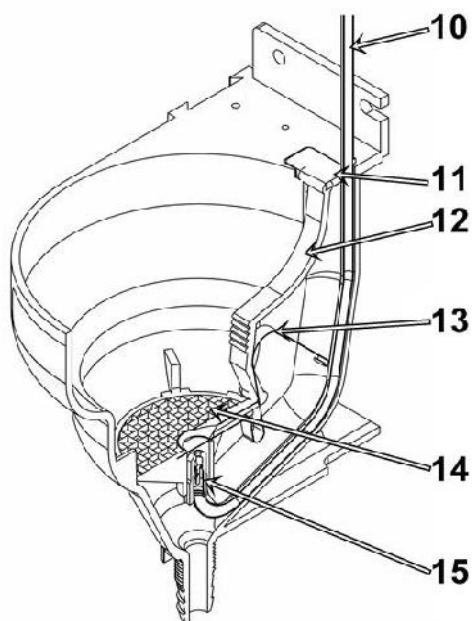


**Diagram and Parts List**

Item	Description	Qty	Part no.
1	Reservoir, Natural	1	100910097070
2	J Tube Fittings	1	10097480+10097469
3	Water Pressure Regulator	1	90085155
4	Swivel Stem + Swivel Nut	1	10082816 + 10082835
5	15mm Push In Ball Valve	1	90090060
6	Solid Bowl	1	10094931
7	Outlet Ball Valve 3/8" Push In	1	90085153
8	Reservoir Side Panel	1	10091157
Not Shown	Mounting Kit	1	90085719



Strainer Washer is  
between items 4 and 5



Item	Description	Qty	Part no.
9	Strainer Washer	1	238100
10	J Tube	1	90085174
11	Retainer Arm	1	90085170
12	Diverter Arm	1	90085172
13	Diverter Spring	1	90085171
14	Screen	1	90085173
15	Blue Nozzle Assembly	1	90086204

Item	Description	Qty	Part no.
16	Bracket	1	10091680
17	Body	1	520000
18	JG 3/8" MPT 3/8" Elbow	1	10091178
19	JG 1/4" MPT 3/8" Fitting	1	10091183
20	Yoke	1	10091687
21	S Hook	1	10092551
22	Float	1	504300

\*As standard the unit is supplied with the Blue -72 OC nozzle, but other nozzle types are available through contacting Hydro Systems Europe

## Technical Specification

<b>Item Number</b>	595GB
<b>Description</b>	Single Solid Dissolver
<b>Dimensions</b>	635mm H x 360mm W x 240mm D
<b>Box Dimensions</b>	686mm H x 464mm W x 293mm D
<b>Weight</b>	7kg Dry, 16kg with Full Chemical Bottle & Reservoir
<b>Water pressure</b>	Min 2 Bar – Max 6.2 Bar (200kPa – 620kPa) (29psi – 89.9psi)

**This product is not suitable for use with Chlorine containing products.  
For Chlorine containing products, please contact Hydro Systems Europe**

**This product is to be supplied with clean water, at a temperature of up to 40°C. For advice on using other chemicals as the dilution liquid, please contact Hydro Systems Europe for compatibility**

## Changing Chemical Bottle

When the solid chemical is exhausted, the bottle must be changed.

**Refer to the 'Safety section of this manual for clothing and chemical handling instructions**



1. Remove power supply from the Timer
2. Turn off water supply to the unit
3. Lift chemical bottle out of bowl
4. Insert new chemical into bowl
5. Reconnect power and water supply

## Troubleshooting chart

### **Warning**



- **Before carrying out any maintenance or cleaning you must disconnect water and power supplies from unit**
- **Do not adjust / rework items not listed in troubleshooting guide below without guidance of Hydro Systems Europe**

<b>Problem</b>	<b>Cause</b>	<b>Solution</b>
1. System does not operate	a. No water b. Clogged water inlet strainer c. Primary float valve failure	a. Open water supply b. Disconnect inlet water line and clean strainer <b>9</b> c. Clean or replace faulty parts
2. Floats are not turning water flow On/Off	a. Unit not level, float chain twisted	a. Make sure unit is level - float hangs level Make sure float yoke <b>20</b> is not twisted or obstructed
3. Solution strength too low	a. Low inlet pressure b. Inlet tubing kinked	a. Adjust inlet pressure higher using regulator <b>3</b> b. Make sure tubing is not kinked

Note: Colder water temperatures result in a decrease in the chemical dissolve rate.

\* Hard water may cause build-up of mineral deposits in water valve. Remove deposits by soaking the valve parts in a deliming solution.

**Safety**

- Please use this equipment carefully and observe all warnings and cautions.
- Wear PPE when dispensing chemicals or other materials or when working in the vicinity of all chemicals, filling or emptying equipment.



- Always observe safety and handling instructions of the chemical manufacturers.
- Always direct discharge away from you or other persons or into approved containers.
- Always dispense cleaners and chemicals in accordance with manufacturer's instructions.
- Always exercise caution when maintaining your equipment.
- Always re-assemble equipment according to instruction procedures. Be sure all components are firmly screwed or latched into position.
- Keep equipment clean to maintain proper operation.
- You must follow all precautions as advised on the product safety data sheet
- Unit should not be tested without chemical bowl installed

**Advanced Water Technologies**

2 Webster Court  
Carina Place  
Gemini Business Park  
Warrington  
Cheshire  
WA5 8WD

**Tel:** 01925 713 273

**Fax:** 01925 713 483

**Email:** [info@advanced-water.co.uk](mailto:info@advanced-water.co.uk)

[www.advanced-water.co.uk](http://www.advanced-water.co.uk)